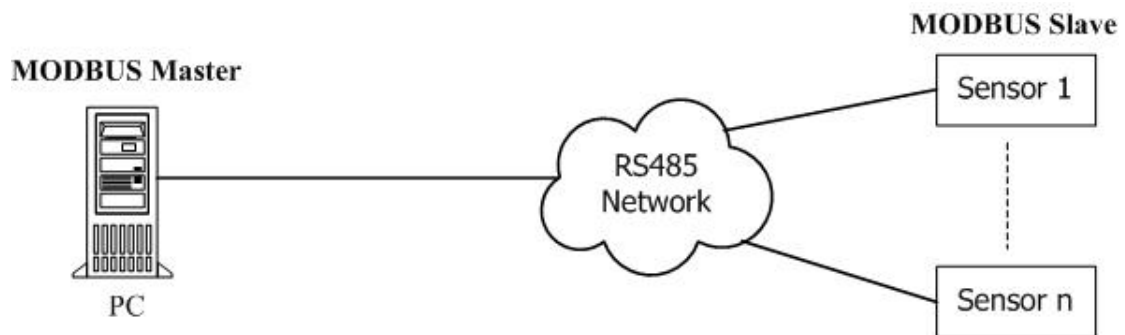
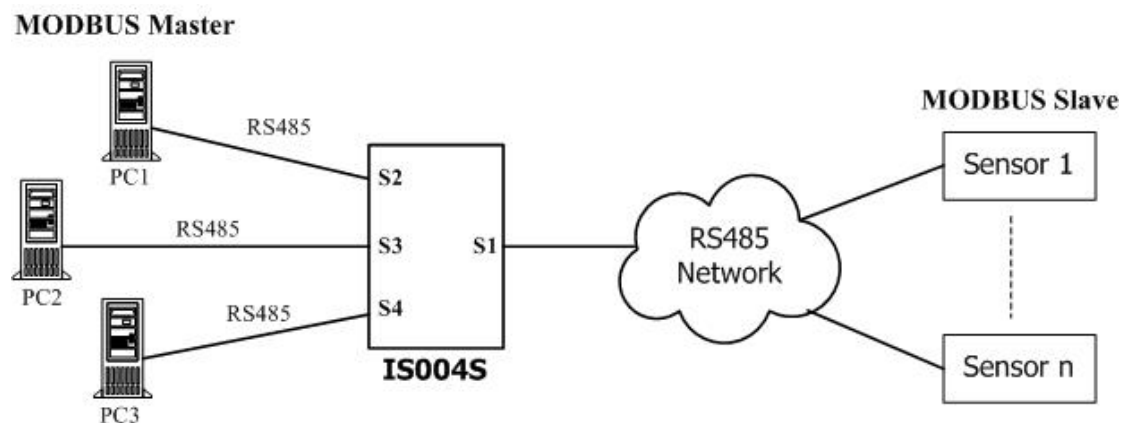


# IS004S Reverse Serial Port Sharer

Can support multiple MODBUS master to access one slave device anytime. In normal environment you may have one master to handle multiple slave devices with Poll & Ack procedure without problem. But you may have confliction for multiple master hosts to access simultaneously. IS004S Reverse Serial Port Sharer box is your solution.



We have stored and forward interactive handshake feature in IS004S box. One master is serviced firstly and the other master will be serviced later. It is just like one MODBUS master to access and own one slave device independently.



IS400S box will support RS232 interface. IS004S will support RS485 interface with GROUND isolated feature in all serial ports.