

IGS-7084GCP

➤ **Industrial 12-port managed Gigabit Ethernet switch with 8xGigabit combo ports and 4x1000Base-X, SFP socket**

Features

- Supports 8xGigabit combo ports and 4x1000Base-X SFP ports
- Supports Jumbo frame up to 9K Bytes
- Supports **O-Ring** (recovery time < 20ms over 250 units of connection), MSTP/RSTP/STP (IEEE 802.1s/w/D) for Ethernet Redundancy
- Supports IP-based bandwidth management
- Supports application-based QoS management
- Supports IP police security function
- Supports DOS/DDOS auto prevention
- Supports DDM (Digital Diagnostic Monitoring) function (G1 ~ G8)
- IGMP v2/v3 (IGMP snooping support) for filtering multicast traffic
- Supports SNMP v1/v2c/v3, RMON and 802.1Q VLAN Network Management
- Supports ACL, 802.1x User Authentication for security
- Multiple notification for warning of unexpected event
- Windows utility (Open-Vision v3.0 or above) support centralized management and configurable by Web-based interface, Telnet and Console (CLI)
- Supports LLDP Protocol
- Rigid IP-30 housing design
- DIN-Rail and wall mounting enabled

Thunder Rail

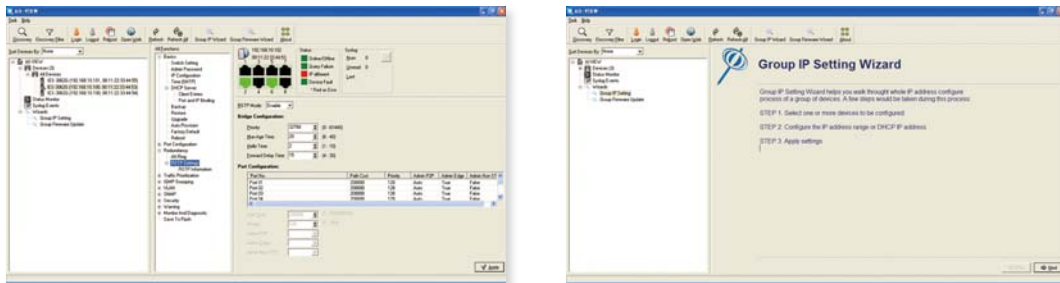
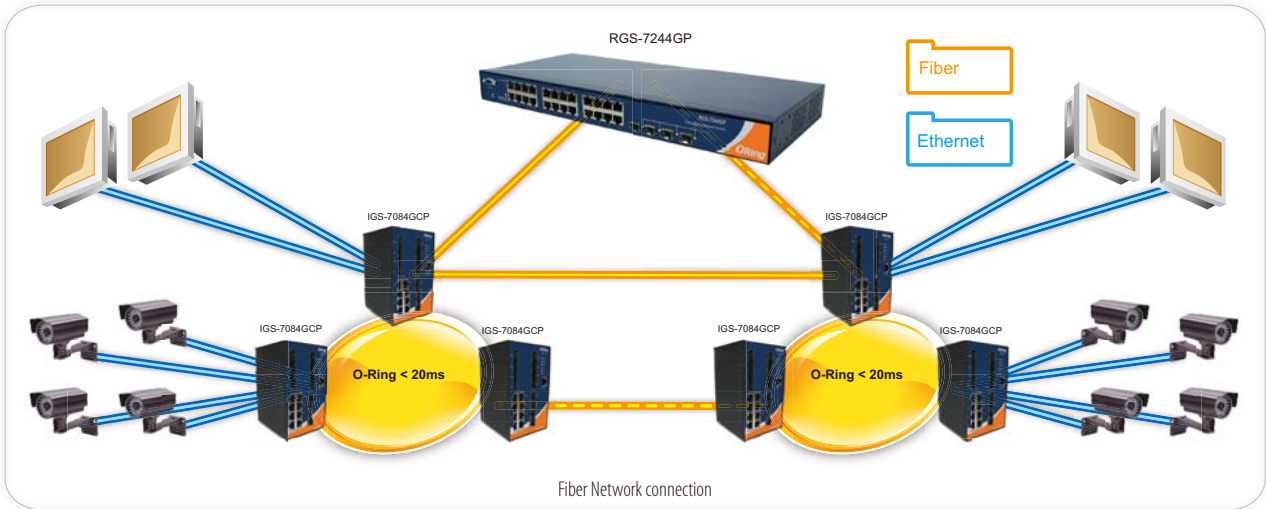


Introduction

IGS-7084GCP is managed redundant ring gigabit Ethernet switch with 8xGigabit combo ports and 4x1000Base-X SFP ports. With complete support of Ethernet Redundancy protocol, O-Ring (recovery time < 20ms over 250 units of connection) and MSTP/RSTP/STP (IEEE 802.1s/w/D) can protect your mission-critical applications from network interruptions or temporary malfunctions with its fast recovery technology. ORing's Thunder series switch provide advanced IP- base bandwidth management which can limit the maximum bandwidth for each IP device. User can configure IP camera and NVR with more bandwidth and limit other device bandwidth. ORing's Thunder series switch also support application-based QoS. Application-based QoS can set highest priority for data stream according to TCP/UDP port number. ORing's special IP police function can permit only allowed IP address with MAC address to access the networking. Hacker cannot access the IP surveillance network without permission. It can avoid hacker from stealing video privacy data and attacking IP camera, NVR and controllers. ORing's Thunder series switch also provided advanced DOS/DDOS auto prevention. If there is any IP flow become big in short time, ORing's thunder switch will lock the source IP address for certain time to prevent the attack. It's hardware-based prevention so it can prevent DOS/DDOS attack without immediately and completely. And all functions of IGS-7084GCP can also be managed centralized and convenient by Open-Vision v3.0 or above. Web-based interface, Telnet, and console (CLI) configuration are also supported. Therefore, the switch is one of the most reliable choice for highly-managed and Gigabit Fiber Ethernet application.

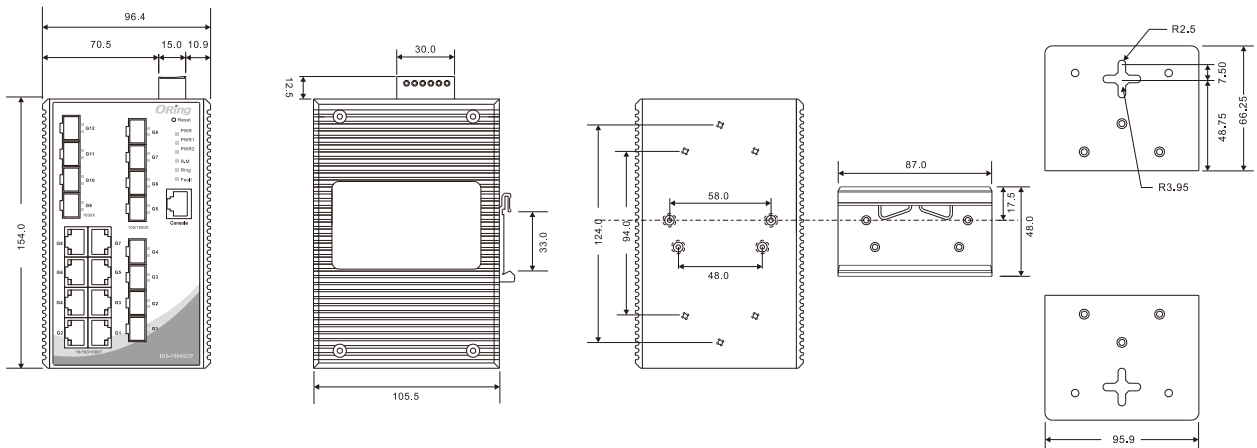
Open-Vision

ORing's switches are intelligent switches. Different from other traditional redundant switches, ORing provides a set of Windows utility (Open-Vision v3.0) for user to manage and monitor all of industrial Ethernet switches on the industrial network.



Monitoring and Configuration interface

Dimensions



(Unit=mm)

Specifications

| ORing Switch Model | IGS-7084GCP |
|---|--|
| Physical Ports | |
| Gigabit Combo Port with 10/100/1000Base-T(X) and 100/1000Base-X SFP ports | 8 |
| 1000Base-X SFP Port | 4 |
| Technology | |
| Ethernet Standards | IEEE 802.3 for 10Base-T IEEE 802.3u for 100Base-TX and 100Base-FX IEEE 802.3z for 1000Base-X IEEE 802.3ab for 1000Base-T IEEE 802.3x for Flow control IEEE 802.3ad for LACP (Link Aggregation Control Protocol) IEEE 802.1D for STP (Spanning Tree Protocol) IEEE 802.1p for COS (Class of Service) IEEE 802.1Q for VLAN Tagging IEEE 802.1w for RSTP (Rapid Spanning Tree Protocol) IEEE 802.1s for MSTP (Multiple Spanning Tree Protocol) IEEE 802.1x for Authentication IEEE 802.1AB for LLDP (Link Layer Discovery Protocol) |
| MAC Table | 8K |
| Priority Queues | 4 |
| Processing | Store-and-Forward |
| Switch Properties | Switching latency : 7 μ s Switching bandwidth : 24Gbps Max. Number of Available VLANs : 256 IGMP multicast groups : 128 for each VLAN Port rate limiting: User Define |
| Jumbo frame | Up to 9K Bytes |
| Security Features | IP Police security feature Enable/disable ports, MAC based port security Port based network access control (802.1x) VLAN (802.1Q) to segregate and secure network traffic Radius centralized password management SNMPv3 encrypted authentication and access security |
| Software Features | STP/RSTP/MSTP (IEEE 802.1D/w/s) Redundant Ring (O-Ring) with recovery time less than 20ms over 250 units TOS/Diffserv supported Quality of Service (802.1p) for real-time traffic VLAN (802.1Q) with VLAN tagging and GVRP supported IGMP Snooping IP-based bandwidth management Application-based QoS management DOS/DDOS auto prevention Port configuration, status, statistics, monitoring, security DHCP Client/Server |
| Network Redundancy | O-Ring STP RSTP MSTP |
| RS-232 Serial Console Port | RS-232 in RJ45 connector with console cable. 115200bps, 8, N, 1 |
| LED Indicators | |
| Power Indicator | Green : Power LED x 3 |
| R.M. Indicator | Green : Indicates that the system is operating in O-Ring Master mode |
| Ring Indicator | Green : Indicates that the system is operating in O-Ring mode |
| Fault Indicator | Amber : Indicates unexpected event occurred |
| 10/100/1000Base-T(X) RJ45 port Indicator | Green for port Link/Act. Amber for Duplex/Collision |
| 100/1000Base-X SFP port Indicator | Green for port Link/Act. |
| Fault Contact | |
| Relay | Relay output to carry capacity of 1A at 24VDC |

| Power | |
|---|--|
| Redundant Input Power | Dual DC inputs. 12~48 VDC on 6-pin terminal block |
| Power Consumption (Typ.) | 22 Watts |
| Overload Current Protection | Present |
| Reverse Polarity Protection | Present on terminal block |
| Physical Characteristics | |
| Enclosure | IP-30 |
| Dimensions (W x D x H) | 96.4 (W) x 108.5 (D) x 154 (H) mm (3.8 x 4.2.7 x 6.06 inch) |
| Weight (g) | 1420g |
| Environmental | |
| Storage Temperature | -40 to 85°C (-40 to 185°F) |
| Operating Temperature | -40 to 70°C (-40 to 158°F) |
| Operating Humidity | 5% to 95% Non-condensing |
| Regulatory Approvals | |
| EMI | FCC Part 15, CISPR (EN55022) class A |
| EMS | EN61000-4-2 (ESD), EN61000-4-3 (RS), EN61000-4-4 (EFT), EN61000-4-5 (Surge), EN61000-4-6 (CS), EN61000-4-8, EN61000-4-11 |
| Shock | IEC60068-2-27 |
| Free Fall | IEC60068-2-32 |
| Vibration | IEC60068-2-6 |
| Safety | EN60950-1 |
| MTBF (Hours) (MIL-HDBK-217F2, GB, GC, 25°C) | 194,248 |
| Warranty | 5 years |

Ordering Information

IGS-7 **AA** **B** **CC**



| Code Definition | Gigabit Combo Port Number | Additional Port Number | Additional Port Type |
|-----------------|---------------------------|------------------------|---|
| Option | - 08 : 8 ports | - 4 : 4 ports | - GCP : Gigabit Combo + 1000Base-X SFP |

| Available Model | Model Name | Description |
|-----------------|-------------|--|
| | IGS-7084GCP | Industrial 12-port managed Gigabit Ethernet switch with 8xGigabit combo ports and 4x1000Base-X, SFP socket |

Packing List

- IGS-7084GCP
- DIN-Rail Kit
- Wall-mount Kit
- Console Cable
- ORing Tool CD
- Quick Installation Guide

Optional Accessories (Can be purchased separately)

- Open-Vision M500, Powerful Network Management Windows Utility Suite, 500 IP devices
- SFP100 series, 100Mbps SFP optical transceiver
- SFP1G series, 1Gbps SFP optical transceiver
- DR-45 series, 45W DIN-Rail power supply
- DR-75 series, 75W DIN-Rail power supply
- DR-120 series, 120W DIN-Rail power supply