

IGS-7084GCP



IGPS-7084GP

Industrial 12-port managed Gigabit Ethernet switch with 8xGigabit combo ports and 4x1000Base-X, SFP socket

Features

- Supports 8xGigabit combo ports and 4x1000Base-X SFP ports
- Supports Jumbo frame up to 9K Bytes
- Supports **O-Ring** (recovery time < 30ms over 250 units of connection), MSTP/RSTP/STP (IEEE 802.1s/w/D) for Ethernet Redundancy
- Supports IPV6 new internet protocol version
- Provided HTTPS/SSH protocol to enhance network security
- Supports SMTP client
- Supports IP-based bandwidth management
- Supports application-based QoS management
- Supports Device Binding security function
- Supports DOS/DDOS auto prevention
- Supports DDM (Digital Diagnostic Monitoring) function (G1 ~ G8)
- IGMP v2/v3 (IGMP snooping support) for filtering multicast traffic
- Supports SNMP v1/v2c/v3, RMON and 802.1Q VLAN Network Management
- Supports ACL, 802.1x User Authentication for security
- Multiple notification for warning of unexpected event
- Windows utility (Open-Vision v3.0 or above) support centralized management and configurable by Web-based interface, Telnet and Console (CLI)
- Supports LLDP Protocol
- Rigid IP-30 housing design
- DIN-Rail and wall mounting enabled

Thunder Rail

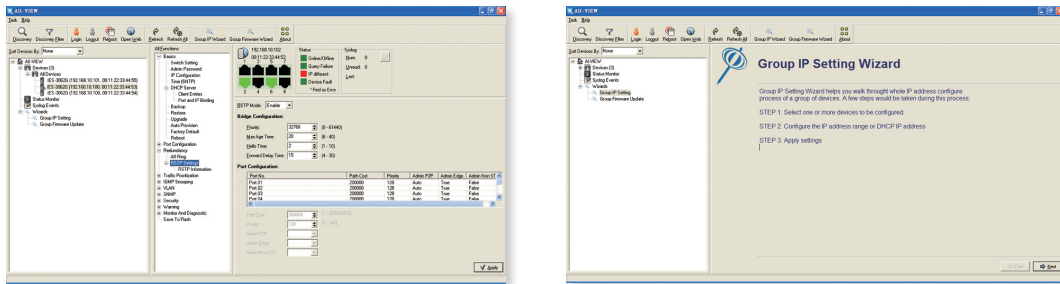
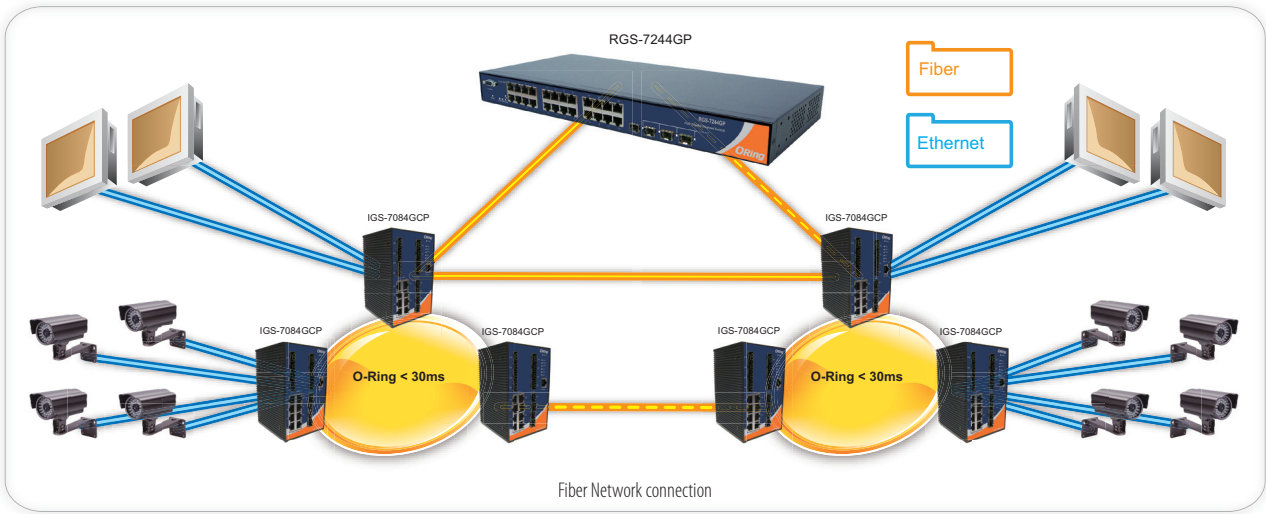


Introduction

IGS-7084GCP is managed redundant ring gigabit Ethernet switch with 8xGigabit combo ports and 4x1000Base-X SFP ports. With complete support of Ethernet Redundancy protocol, O-Ring (recovery time < 30ms over 250 units of connection) and MSTP/RSTP/STP (IEEE 802.1s/w/D) can protect your mission-critical applications from network interruptions or temporary malfunctions with its fast recovery technology. ORing's Thunder series switch provide advanced IP- base bandwidth management which can limit the maximum bandwidth for each IP device. User can configure IP camera and NVR with more bandwidth and limit other device bandwidth. ORing's Thunder series switch also support application-based QoS. Application-based QoS can set highest priority for data stream according to TCP/UDP port number. ORing's special IP police function can permit only allowed IP address with MAC address to access the networking. Hacker cannot access the IP surveillance network without permission. It can avoid hacker from stealing video privacy data and attacking IP camera, NVR and controllers. ORing's Thunder series switch also provided advanced DOS/DDOS auto prevention. If there is any IP flow become big in short time, ORing's thunder switch will lock the source IP address for certain time to prevent the attack. It's hardware-based prevention so it can prevent DOS/DDOS attack without immediately and completely. And all functions of IGS-7084GCP can also be managed centralized and convenient by Open-Vision v3.0 or above. Web-based interface, Telnet, and console (CLI) configuration are also supported. Therefore, the switch is one of the most reliable choice for highly-managed and Gigabit Fiber Ethernet application.

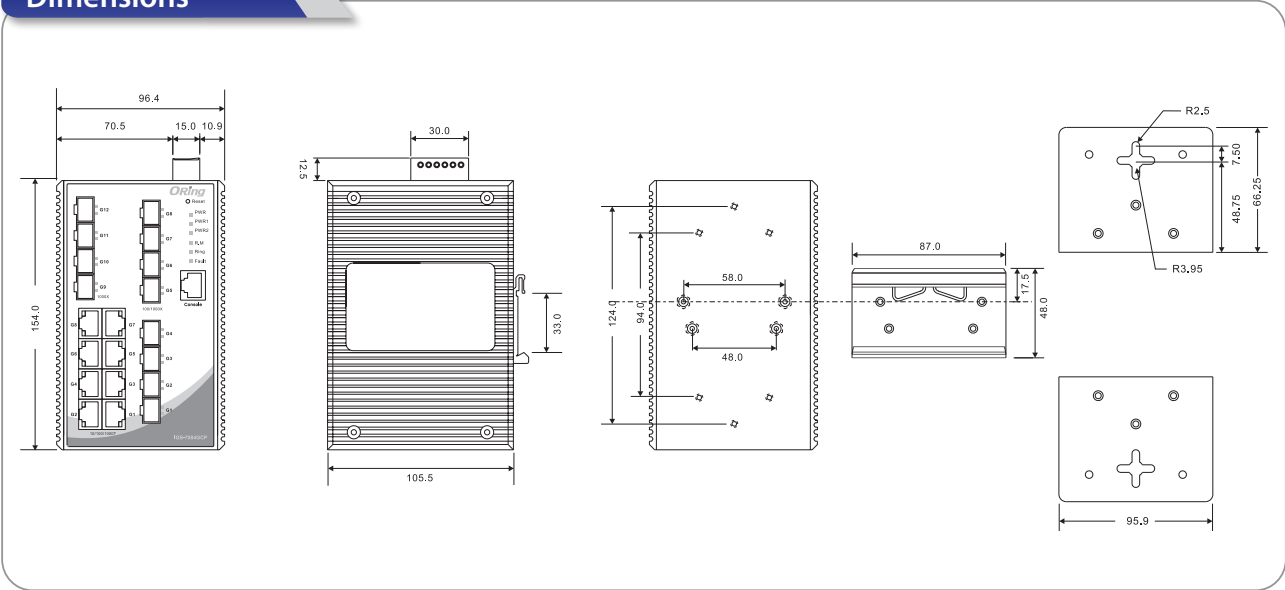
Open-Vision

ORing's switches are intelligent switches. Different from other traditional redundant switches, ORing provides a set of Windows utility (Open-Vision v3.0) for user to manage and monitor all of industrial Ethernet switches on the industrial network.



Monitoring and Configuration interface

Dimensions



(Unit=mm)

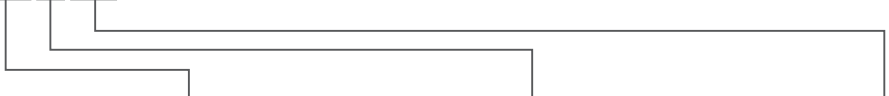
Specifications

ORing Switch Model	IGS-7084GCP
Physical Ports	
Gigabit Combo Port with 10/100/1000Base-T(X) and 100/1000Base-X SFP ports	8
1000Base-X SFP Port	4
Technology	
Ethernet Standards	IEEE 802.3 for 10Base-T IEEE 802.3u for 100Base-TX and 100Base-FX IEEE 802.3z for 1000Base-X IEEE 802.3ab for 1000Base-T IEEE 802.3x for Flow control IEEE 802.3ad for LACP (Link Aggregation Control Protocol) IEEE 802.1D for STP (Spanning Tree Protocol) IEEE 802.1p for COS (Class of Service) IEEE 802.1Q for VLAN Tagging IEEE 802.1w for RSTP (Rapid Spanning Tree Protocol) IEEE 802.1s for MSTP (Multiple Spanning Tree Protocol) IEEE 802.1x for Authentication IEEE 802.1AB for LLDP (Link Layer Discovery Protocol)
MAC Table	8K
Priority Queues	4
Processing	Store-and-Forward
Switch Properties	Switching latency : 7 μ s Switching bandwidth : 24Gbps Max. Number of Available VLANs : 256 IGMP multicast groups : 128 for each VLAN Port rate limiting: User Define
Jumbo frame	Up to 9K Bytes
Security Features	Device Binding security feature Enable/disable ports, MAC based port security Port based network access control (802.1x) VLAN (802.1Q) to segregate and secure network traffic Radius centralized password management SNMPv3 encrypted authentication and access security Https / SSH enhance network security
Software Features	STP/RSTP/MSTP (IEEE 802.1D/w/s) Redundant Ring (O-Ring) with recovery time less than 30ms over 250 units TOS/Diffserv supported Quality of Service (802.1p) for real-time traffic VLAN (802.1Q) with VLAN tagging and GVRP supported IGMP Snooping IP-based bandwidth management Application-based QoS management DOS/DDOS auto prevention Port configuration, status, statistics, monitoring, security DHCP Client/Server SMTP Client
Network Redundancy	O-Ring Fast Recovery Mode STP RSTP MSTP
RS-232 Serial Console Port	RS-232 in RJ45 connector with console cable. 115200bps, 8, N, 1
LED Indicators	
Power Indicator	Green : Power LED x 3
R.M. Indicator	Green : Indicates that the system is operating in O-Ring Master mode
Ring Indicator	Green : Indicates that the system is operating in O-Ring mode
Fault Indicator	Amber : Indicates unexpected event occurred
10/100/1000Base-T(X) RJ45 port Indicator	Green for port Link/Act. Amber for Duplex/Collision
100/1000Base-X SFP port Indicator	Green for port Link/Act.

Fault Contact	
Relay	Relay output to carry capacity of 1A at 24VDC
Power	
Redundant Input Power	Dual DC inputs. 12~48VDC on 6-pin terminal block
Power Consumption (Typ.)	22 Watts
Overload Current Protection	Present
Reverse Polarity Protection	Present on terminal block
Physical Characteristics	
Enclosure	IP-30
Dimensions (W x D x H)	96.4 (W) x 108.5 (D) x 154 (H) mm (3.8 x 4.2.7 x 6.06 inch)
Weight (g)	1420g
Environmental	
Storage Temperature	-40 to 85°C (-40 to 185°F)
Operating Temperature	-40 to 70°C (-40 to 158°F)
Operating Humidity	5% to 95% Non-condensing
Regulatory Approvals	
EMI	FCC Part 15, CISPR (EN55022) class A
EMS	EN61000-4-2 (ESD), EN61000-4-3 (RS), EN61000-4-4 (EFT), EN61000-4-5 (Surge), EN61000-4-6 (CS), EN61000-4-8, EN61000-4-11
Shock	IEC60068-2-27
Free Fall	IEC60068-2-32
Vibration	IEC60068-2-6
Safety	EN60950-1
MTBF (Hours) (MIL-HDBK-217F2, GB, GC, 25°C)	331,932
Warranty	5 years

Ordering Information

IGS-7 **AA** **B** **CC**



Code Definition	Gigabit Combo Port Number	Additional Port Number	Additional Port Type
Option	- 08 : 8 ports	- 4 : 4 ports	- GCP : Gigabit Combo + 1000Base-X SFP

Available Model	Model Name	Description
	IGS-7084GCP	Industrial 12-port managed Gigabit Ethernet switch with 8xGigabit combo ports and 4x1000Base-X, SFP socket

Packing List

- IGS-7084GCP
- DIN-Rail Kit
- Wall-mount Kit
- Console Cable
- ORing Tool CD
- Quick Installation Guide

Optional Accessories (Can be purchased separately)

- Open-Vision M500, Powerful Network Management Windows Utility Suite, 500 IP devices
- SFP100 series, 100Mbps SFP optical transceiver
- SFP1G series, 1Gbps SFP optical transceiver
- DR-45 series, 45W DIN-Rail power supply
- DR-75 series, 75W DIN-Rail power supply
- DR-120 series, 120W DIN-Rail power supply
- SDR-240-48, 240W DIN-Rail power supply
- SDR-480-48, 480W DIN-Rail power supply