

EDAM-4255

8 digital input channels and 8 digital output channels module



Main Features

- ◆ 2-ports(RJ-45) Ethernet 10/100 Based-T Comm.
- ◆ Daisy chain connection with auto-bypass protection
- ◆ Support Modbus/TCP,TCP/IP,UDP,ICMP,ARP
- ◆ Support Automatic DIO Sync.(peer-to-peer).
- ◆ DO Auto-Off Time Mode.
- ◆ Support 8 Isolated digital output channels(750mA/ch).
- ◆ Support 8 Isolated digital Input channels(Dry/Wet)
- ◆ Fully Photo-Isolation 3750Vrms
- ◆ Protocol: ASCII Format & Modbus TCP

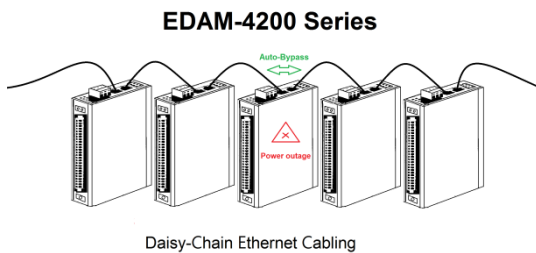
Introduction

The EDAM-4255 is a high-density I/O module built-in two ports(RJ-45) 10/100 based-T interface for seamless Ethernet connectivity. It provides 8 Isolated digital input (Dry/Wet Contact) and 8 digital output channels with 3750VRMS Isolating protection. All of the Digital Input channels support input latch function for important signal handling. Mean while, these DI channels allow to be used as 300Hz counter. Opposite to the intelligent DI functions, the Digital Output channels also support pulse output function.

Features

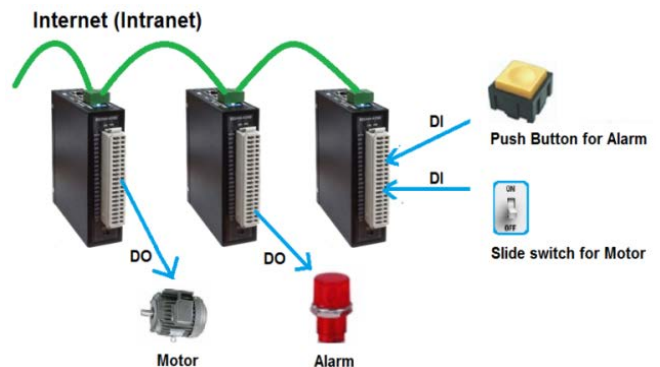
◆ Daisy Chain Networking and Auto-Bypass Protection

Daisy chain connectivity offers flexible cabling and space saving capabilities. With Ethernet auto-bypass function supported, it prevents accidental power failure if one of the module's unexpectedly shuts down.



◆ Automatic DIO Synchronization (peer-to-peer)

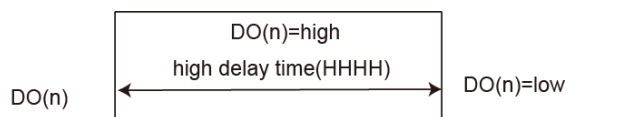
EDAM-4255 module also provide a Automatic DIO Synchronization function. With peer-to-peer networking, users can define the mapping between a pair of EDAM-4200 series modules so that input values will be directly transferred to output channels. A single digital output channel (Local/Remote device) is activated(1/0 or toggle) dependent on the digital input channels state data pattern. When the specified DI channels state data pattern changed from "Match" to "Not-match" the corresponding DO will be set to active(1 or 0).



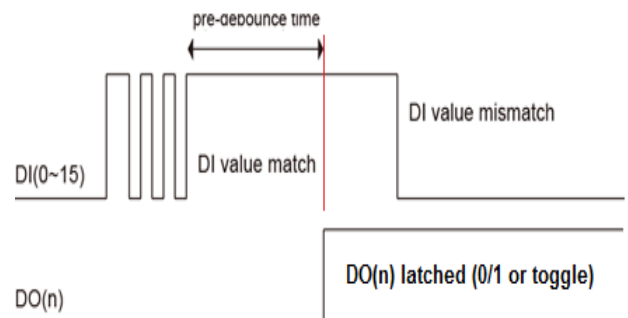
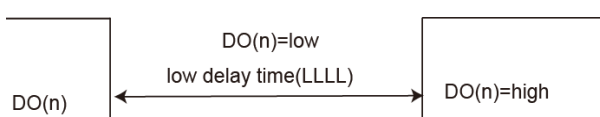
✓ DIO Synchronization: DI match/mismatch DO latch mode

◆ DO Auto-Off Time Mode.

✓ Low to High DO(n) pulse output



✓ High to Low DO(n) pulse output



Specifications

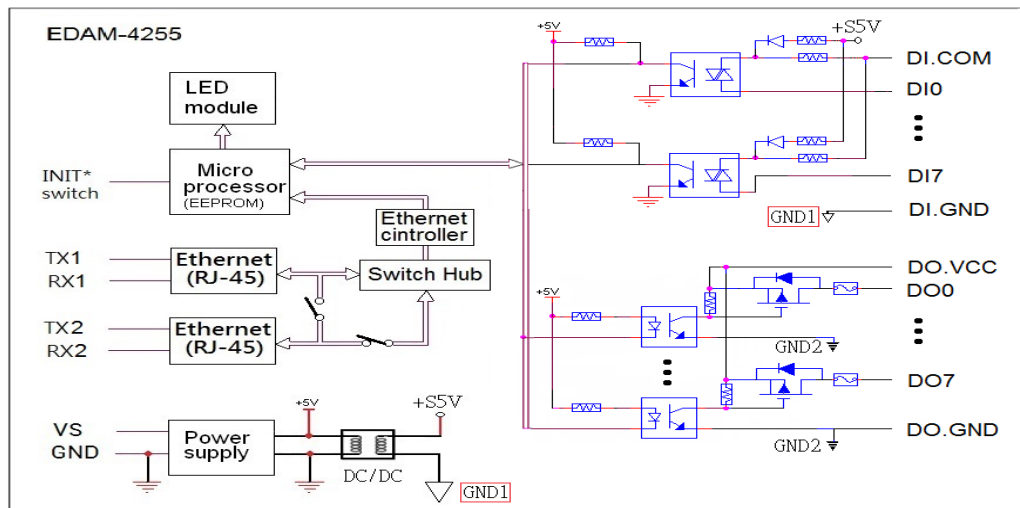
- ◆ Interface: 2-port(RJ45) Ethernet 10/100 Based-T comm.
- ◆ COMM.: Support TCP/IP, UDP, ICMP, ARP
- ◆ Daisy chain connection with auto-bypass protection
- ◆ Protocol: ASCII Format , Modbus/TCP
- ◆ Isolation Digital Input: Single ended (Wet/Dry contact)
 - Channel: 8 channels (DI0~DI7)
 - Input Level: Logic level status can be inverted via ASCII/Modbus command.
 - Dry Contact :
 - ✓ Logic level 0 (active) : Close to GND
 - ✓ Logic level 1 (inactive) : Open
 - Wet Contact :
 - ✓ Logic level 0 (active) : +5V to +30VDC max
 - ✓ Logic level 1 (inactive) : +2VDC max
 - Input Impedance: 2K ohm(Wet Contact)
 - Counter input: 300Hz counter input (32-bit + 1-bit overflow)
 - Optical Isolation Voltage: 3750Vrms

- ◆ Isolation Digital Output :
 - Digital Output: Isolated open drain (P-MOSFET) output channels.
 - Channel: 8 channels (DO0~DO7)
 - Output logical level: Logic level status can be inverted via ASCII and Modbus TCP command.
 - Load voltage /Current: +10 ~ 30V / 750mA max.
 - Each channel supports 300Hz pulse output
 - Optical Isolation Voltage: 3750Vrms
- ◆ Display:
 - Command status LED indicator.
 - 8 digital inputs & 8 digital output status LED
- ◆ Power Requirement:
 - Power Consumption: 3.6 W (Typical)
 - Power Input: +10 ~ +30 VDC
- ◆ Operating temperature: -10 ~ 70 °C (14 ~ 158 ° F)
- ◆ Storage temperature : -25 ~ 85 °C (13 ~ 185 ° F)
- ◆ Humidity: 5 ~ 95% RH, non-condensing

Ordering Information

EDAM-4255: 8-ch DI & 8-ch DO TCP Module..

Block Diagram



Wire Connection

