

EDAM-9066A / 9466

6 digital input channels and 6 power relay output channels module



Features

- ◆ Support Modbus/TCP, TCP/IP, UDP, ICMP, ARP
- ◆ Ethernet 10/100 Based-T Communication
- ◆ Support 6 power relay channels. (Form A)
- ◆ Provide Auto-Off Time of digital output
- ◆ Support Automatic DIO Synchronization func.
- ◆ Support 6 Isolated digital Input Channels
- ◆ Provide Counter Inputs Mode
- ◆ Support Dry/Wet Contact Inputs
- ◆ Provide **PoE** function(only for EDAM-9466)
- ◆ Fully Photo-Isolation 3750Vrms

Specifications

- ◇ Interface: Ethernet 10/100 Based-T communication.
- ◇ COMM.: Support TCP/IP, UDP, ICMP, ARP
- ◇ Protocol: ASCII Format , Modbus/TCP
- ◇ Power Over Ethernet(**PoE**): only for EDAM-9466
- ◇ Isolation Digital Input:
 - Channel: 6 channels (DI0~DI5)
 - Input Level: Logic level status can be inverted via ASCII/Modbus command.
 - Digital input: Isolated single ended with common source.
 - Dry Contact :
 - ✓ Logic level 1(active) : Close to DI GND
 - ✓ Logic level 0 (inactive): Open
 - Wet Contact :
 - ✓ Logic level 1(active) : +10V to 50VDC
 - ✓ Logic level 0 (inactive): 0V to +3VDC
 - counter input: 500Hz counter input (32-bit + 1-bit overflow)
 - Optical Isolation Voltage: 3750Vrms

- ◇ Power Relay Output :
 - Relay Channels: 6 Relay output (DO0~DO5)
 - Relay Type: Form-A
 - Relay contact rating : 5A@250Vac, 5A@30Vdc
 - Surge strength: 4000V
 - Operate Time: 6mS max.
 - Release Time: 3mS max.
 - Min Life: 105 ops.
 - Each channel supports 500Hz pulse output
- ◇ Power Requirement:
 - Power Consumption: 1.8 W (Typical)
 - Power Input: +10 ~ +30 VDC
 - Humidity : 5 ~ 95% RH, non-condensing

Order information

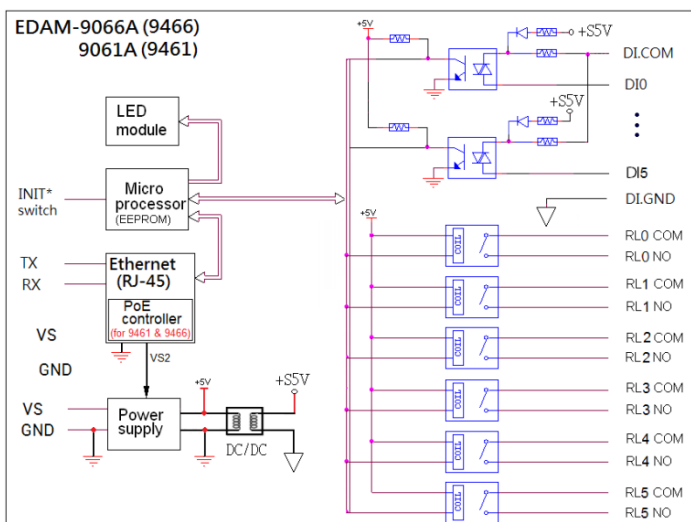
EDAM-9066A :

6 channels digital input and 6 power relay module

EDAM-9466 : 6 DI/6 power relay POE module

Flexible OEM/ODM design

Block Diagram



Wire Connection

