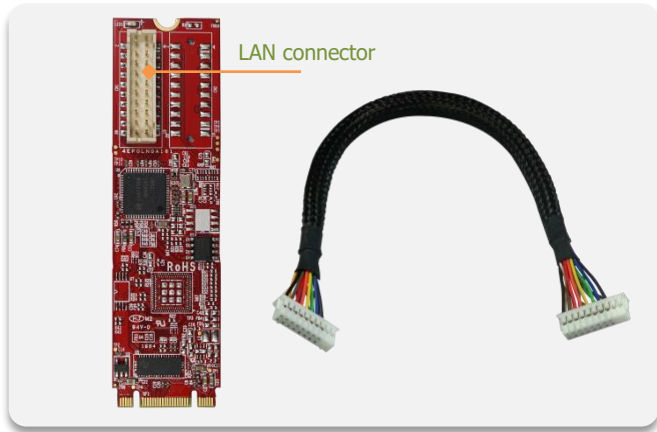


# EGPL-G101

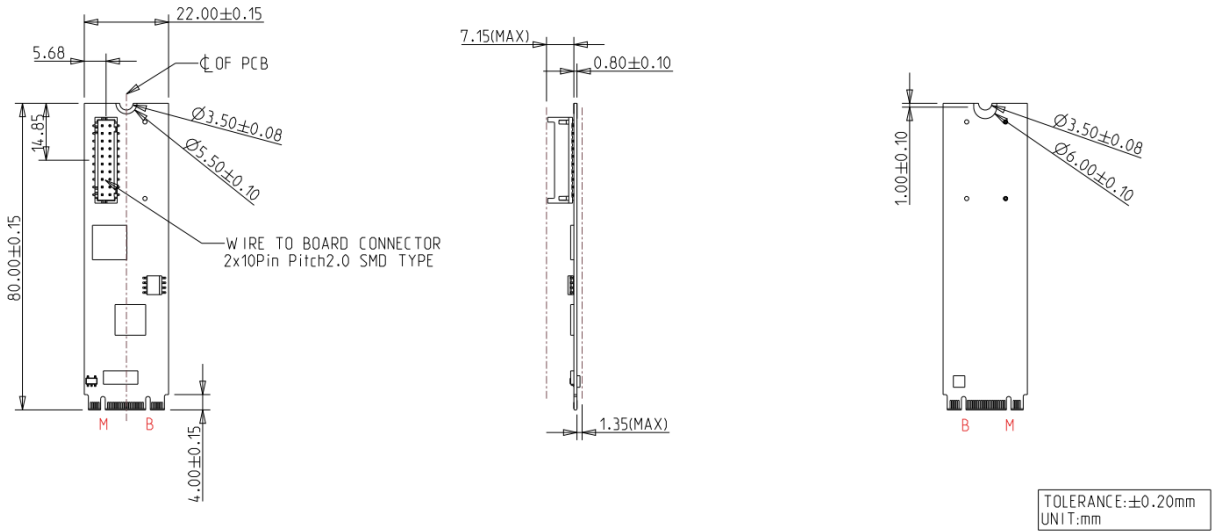
## M.2 to single isolated GbE LAN Module



### Features

- Single isolated GbE LAN port
- Complies with EN61000-4-5 2kV Surge protection
- Complies with IEC 60950-1:2005 + A1: 2009 + A2:2013 2kV HiPOT protection
- Complies with EN61000-4-2 (ESD) Air-15kV, Contact-8kV
- Flexible daughter board with cable to fit into different system
- Optional terminal mounting hole or bracket for daughter board
- Optional Industrial Temperature (-40°C to +85°C) support
- 30μ " golden finger, 3 years warranty
- Industrial design, manufactured in Innodisk Taiwan

### Mechanical Drawing



### Specifications

Form-Factor	M.2 2280 B-M
Input I/F	PCI Express 2.1 x 1
Output I/F	Single GbE LAN
Output Connector	RJ45 x 1
TDP	0.66W (3.3V x 200mA)
Dimension (WxLxH)	22 x 80 x 9.3 mm
Temperature	Operation: STD: 0°C ~ +70°C. W/T: -40°C ~ +85°C Storage: -55°C ~ +95°C
Environment	Vibration: 5G @7~2000Hz, Shock: 50G @ 0.5ms
Notes	Please download driver from MyInnodisk website. Windows: XP(32bit), 7(32/64bit), 8/8.1(32/64 bit), 10(32/64bit) Linux: kernel 2.4 series, 2.6.x and 3.x version.

**Headquarters (Taiwan)**  
5F., No.237, Sec. 1, Datong Rd.,  
Xizhi Dist., New Taipei City 221,  
Taiwan

Tel: +886-2-7703-3000  
Email: sales@innodisk.com

**Branch Offices:**

**USA**  
usasales@innodisk.com  
+1-510-770-9421

**Europe**  
eusales@innodisk.com  
+31-040-3045-400

**Japan**  
jpsales@innodisk.com  
+81-3-6667-0161

**China**  
sales\_cn@innodisk.com  
+86-755-2167-3689

[www.innodisk.com](http://www.innodisk.com)

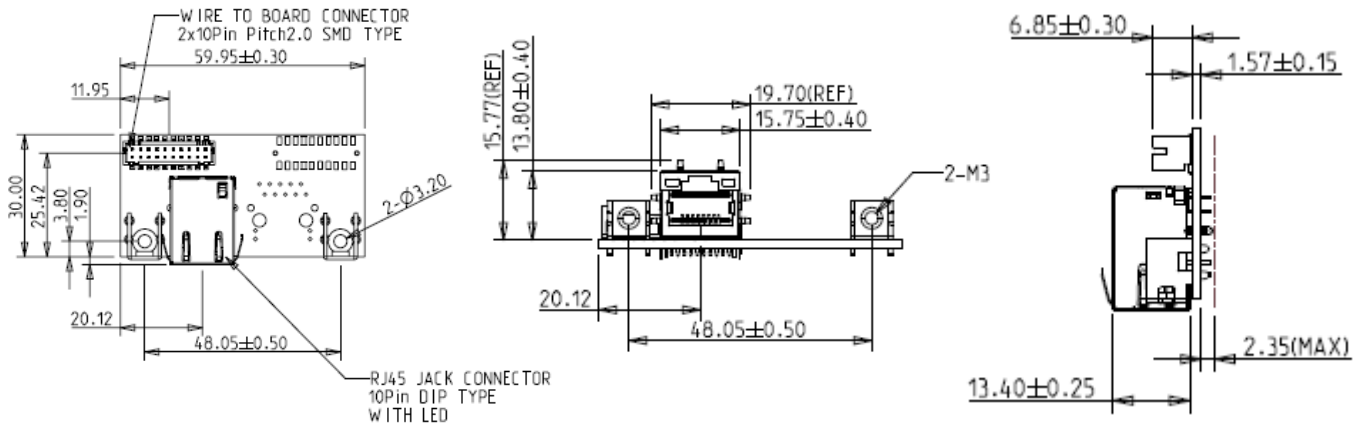
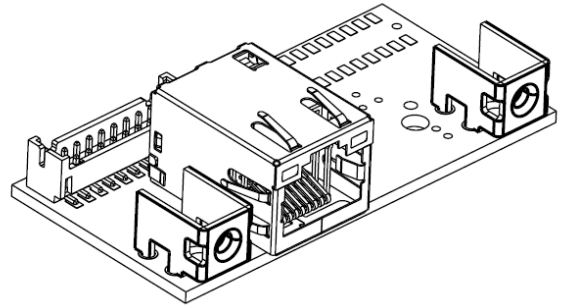
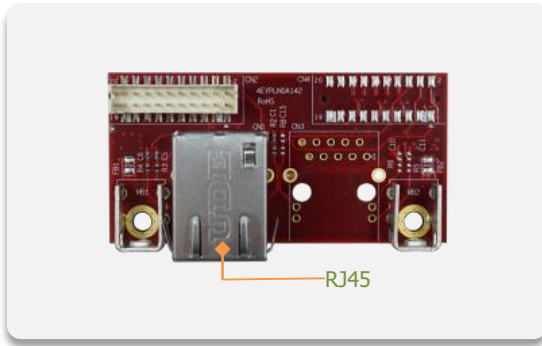
© 2020 Innodisk Corporation.  
All right reserved. Specifications  
are subject to change without  
prior notice.

October 6, 2020

### Order information

- EGPL-G101-C1 (Terminal mounting hole, Standard Temp.)**
  - EGPL-G101-W1 (Terminal mounting hole , Wide Temp.)**
  - EGPL-G101-C2 (Bracket, Standard Temp.)**
  - EGPL-G101-W2 (Bracket, Wide Temp.)**
- M.2 to Single GbE LAN Module

## EGPL-G101-C1/W1 Daughter Board and Mechanical Drawing



## EGPL-G101-C2/W2 Daughter Board and Mechanical Drawing

