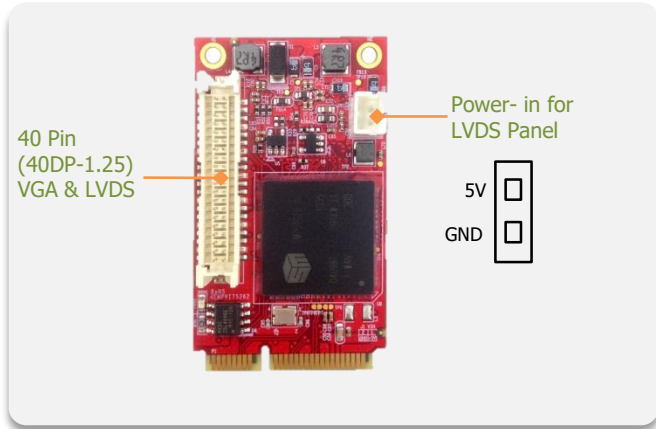


# EMPV-1202

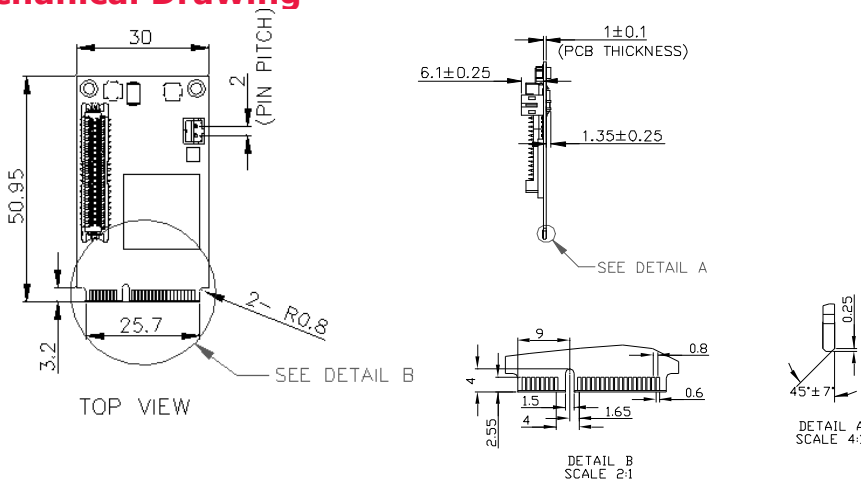
## mPCIe to VGA & 18/24 bit LVDS module



### Features

- VGA Output up to 1920x1440, up to 75Hz vertical rate
- LVDS resolution supports up to 1600 x 1200
- EMPV-1202-C1 Support 18 bit panel and 24 bit JEIDA LVDS
- EMPV-1202-C2 Support 24 bit VESA LVDS
- Allow for 90°, 180°, and 270° rotation of on-screen images.
- 30μ" golden finger, 3 years warranty.
- Industrial design. Manufactured in innodisk Taiwan.

### Mechanical Drawing



18 bits LVDS + VGA

Signal	Pin	Pin	Signal
+5V	2	1	+3.3V
+5V	4	3	+3.3V
I2C_DATA	6	5	I2C_CLK
GND	8	7	GND
LVDS_D0+	10	9	LVDS_D1+
LVDS_D0-	12	11	LVDS_D1-
GND	14	13	GND
LVDS_D2+	16	15	LVDS_D3+
LVDS_D2-	18	17	LVDS_D3-
GND	20	19	GND
R_0	22	21	B_0
G_0	24	23	
GND	26	25	GND
H_Sync	28	27	DDC_SCL
V_Sync	30	29	DDC_SDA
GND	32	31	GND
LVDS_CLK+	34	33	
LVDS_CLK-	36	35	
GND	38	37	GND
	40	39	

### Specifications

#### Headquarters (Taiwan)

5F., No. 237, Sec. 1, Datong Rd.,  
Xizhi Dist., New Taipei City 221,  
Taiwan  
Tel: +886-2-77033000  
Email: sales@innodisk.com

#### Branch Offices:

##### USA

usasales@innodisk.com  
+1-510-770-9421

##### Europe

eusales@innodisk.com  
+31-40-3045-400

##### Japan

jpsales@innodisk.com  
+81-3-6667-0161

##### China

sales\_cn@innodisk.com  
+86-755-21673689

#### [www.innodisk.com](http://www.innodisk.com)

© 2020 Innodisk Corporation.  
All right reserved. Specifications  
are subject to change without  
prior notice.

June 8, 2021

Form-Factor	mini PCIe
Input I/F	PCI Express 1.0
Output I/F	VGA, 18/24 bit LVDS (C1 for JEIDA, C2 for VESA)
Output Connector	40pin 1.25mm (40DP-1.25)
TDP	1.98W(3.3V x 600mA)
Dimension (WxLxH)	50.95 x 30 x 8.45 mm
Temperature	Operation: 0°C ~ +70°C Storage: -55°C ~ +95°C
Environment	Vibration: 5G @7~2000Hz, Shock: 50G @ 0.5ms
Notes	Need to connect external 5V power for LVDS panel. OS Support : Windows XP (32 bit), Windows 7/8/8.1/10 (32/64 bit), Linux Ubuntu 12.04-16.04(32/64bit), Linux Fedora 17- 21(32/64bit), Linux CentOS/Redhat 6.5 (32/64bit)- 7.2(64bit)Please download driver from Myinnodisk website.
Limitations	Linux: Up to Kernel 4.15

### Order information

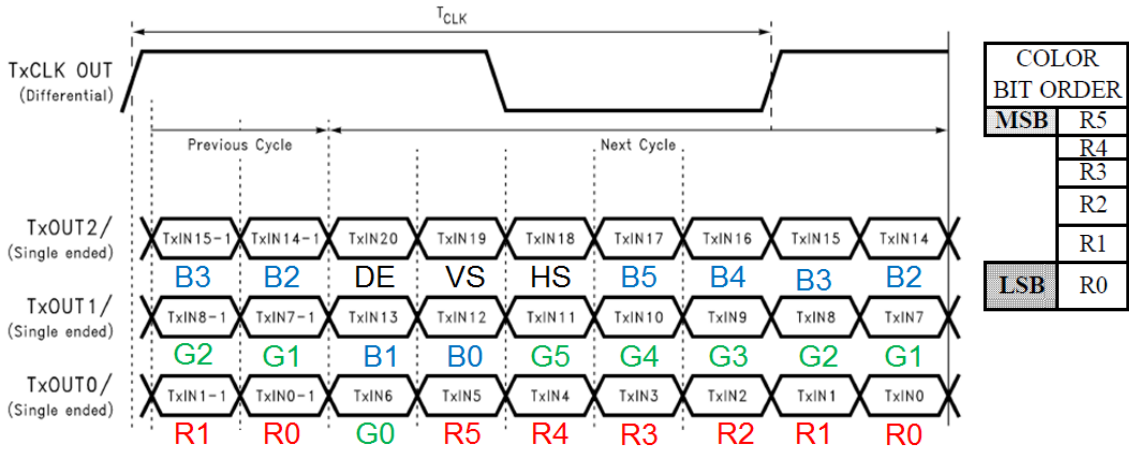
#### EMPV-1202-C1(Standard Temp.)

mPCIe to VGA & 18 bit panel and 24 bit JEIDA LVDS format module

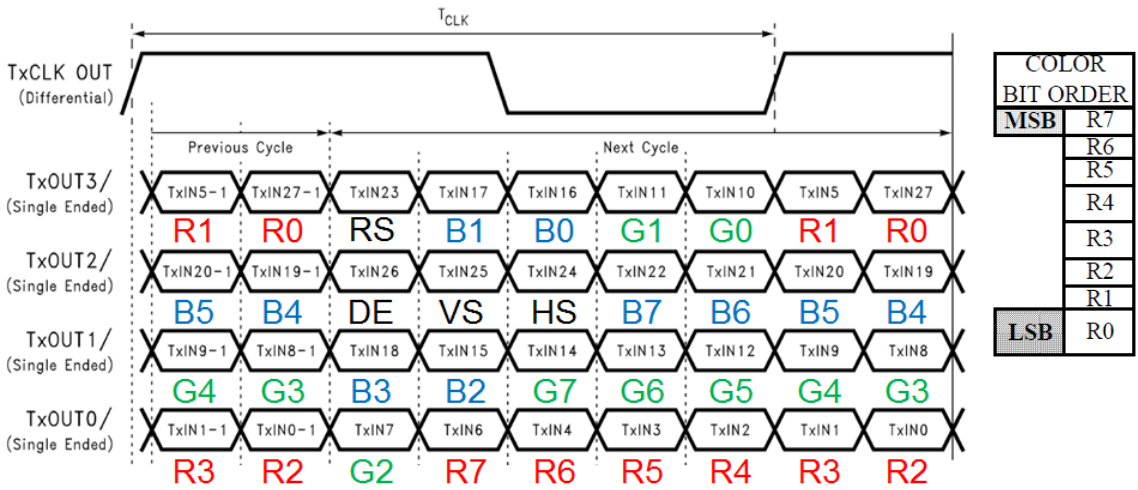
#### EMPV-1202-C2(Standard Temp.)

mPCIe to VGA & 24 bit VESA LVDS format module

## EMPV-1202-C1 LVDS 18 Bit Single Channel Data Mapping Diagram



## EMPV-1202-C1 JEIDA LVDS 24 Bit Single Channel Data Mapping Diagram



## EMPV-1202-C2 VESA LVDS 24 Bit Single Channel Data Mapping Diagram

