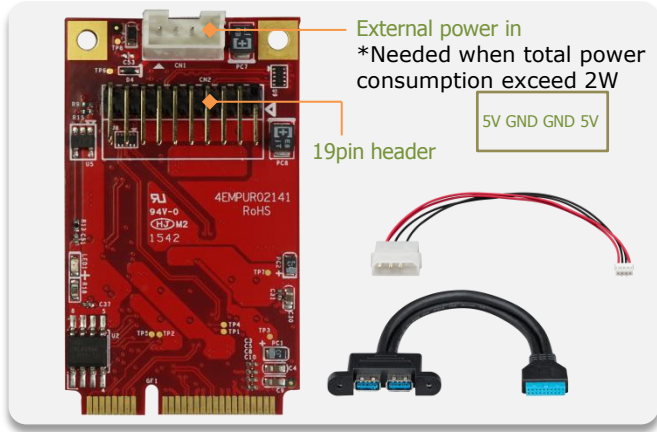


# EMPU-3201

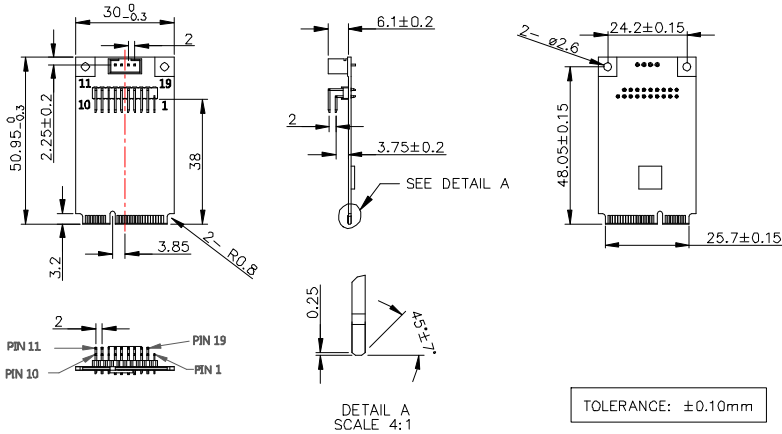
## mPCIe to dual USB 3.0 Module



### Features

- Compliant with PCI Express Base Specification Revision 2.0
- Compliant with Universal Serial Bus 3.0 Specification Revision 1.0
- Supports 2 downstream USB 3.0 ports
- Complies with EN61000-4-2 (ESD) Air-15kV, Contact-8kV
- 30μ golden finger, 3 years warranty.
- Industrial design, manufactured in innodisk Taiwan

### Mechanical Drawing



USB 3.0 Pin Assignment

Signal	Pin	Pin	Signal
Vbus	1		
IntA_P1_SSRX-	2	19	Vbus
IntA_P1_SSRX+	3	18	IntA_P1_SSRX-
GND	4	17	IntA_P2_SSRX+
IntA_P1_SSTX-	5	16	GND
IntA_P1_SSTX+	6	15	IntA_P2_SSTX-
GND	7	14	IntA_P2_SSTX+
IntA_P1_D-	8	13	GND
IntA_P1_D+	9	12	IntA_P2_D-
	10	11	IntA_P2_D+

### Specifications

Form-Factor	mPCIe
Input I/F	PCI Express 2.0
Output I/F	USB 3.0
Output Connector	19 Pin header
TDP	0.89W (3.3V x 270mA)
Dimension (WxLxH)	30.0 x 50.9 x 8.45 mm
Temperature	Operation: STD: 0°C ~ +70°C. WT: -40°C ~ +85°C Storage: -55°C ~ +95°C
Environment	Vibration: 5G @7~2000Hz, Shock: 50G @ 0.5ms
Notes	Please download driver from MyInnodisk website. Windows: XP(32 bit), 7(32/64 bit), Vista Linux: Kernel v2.6.0, v2.6.8 *After Win8 and Linux Kernel v2.6.31 supports built-in xHCI 1.0.

#### Headquarters (Taiwan)

5F., No.237, Sec. 1, Datong Rd.,  
Xizhi Dist., New Taipei City 221,  
Taiwan  
Tel: +886-2-7703-3000  
Email: sales@innodisk.com

#### Branch Offices:

##### USA

[usasales@innodisk.com](mailto:usasales@innodisk.com)  
+1-510-770-9421

##### Europe

[eusales@innodisk.com](mailto:eusales@innodisk.com)  
+31-40-3045-400

##### Japan

[jpsales@innodisk.com](mailto:jpsales@innodisk.com)  
+81-3-6667-0161

##### China

[sales\\_cn@innodisk.com](mailto:sales_cn@innodisk.com)  
+86-755-21673689

#### [www.innodisk.com](http://www.innodisk.com)

© 2015 Innodisk Corporation.  
All right reserved. Specifications  
are subject to change without  
prior notice.

June 13, 2018

### Order Information

**EMPU-3201-C1**  
mPCIe to dual USB 3.0 Module

**EMPU-3201-W1**  
mPCIe to dual USB 3.0 Module W/T