

PCIe-CML64FB/FP

1 Channel PCI Express® x4 Camera Link Full Configuration Frame Grabber ❖



Introduction

Camera Link is a communications interface developed for use in vision applications, and created for easy connectivity between the high-speed, high-resolution digital cameras and frame grabbers.

ADLINK PCIe-CML64FB/FP is a Camera Link frame grabber based on the PCI Express® x4 interface that supports one base/medium/full configuration Camera Link™ color and/or monochrome cameras. It delivers all the advantages of the PCI Express® bus while acquiring at the maximum Camera Link rate of 680 MB/s across the x4 lane, and can handle most of the frame and line scan cameras including the complete image reconstruction from outputs using multiple taps. The PCIe-CML64FB/FP utilizes FPGA based (Field Programmable Gate Array) design for greater image acquisition flexibility, high performance, and improved pre-processing functionality (PCIe-CML64FP). The PCIe-CML64FB/FP has been built within Up/down counter technology to control and correct image acquisition process from the external encoder input.

Features

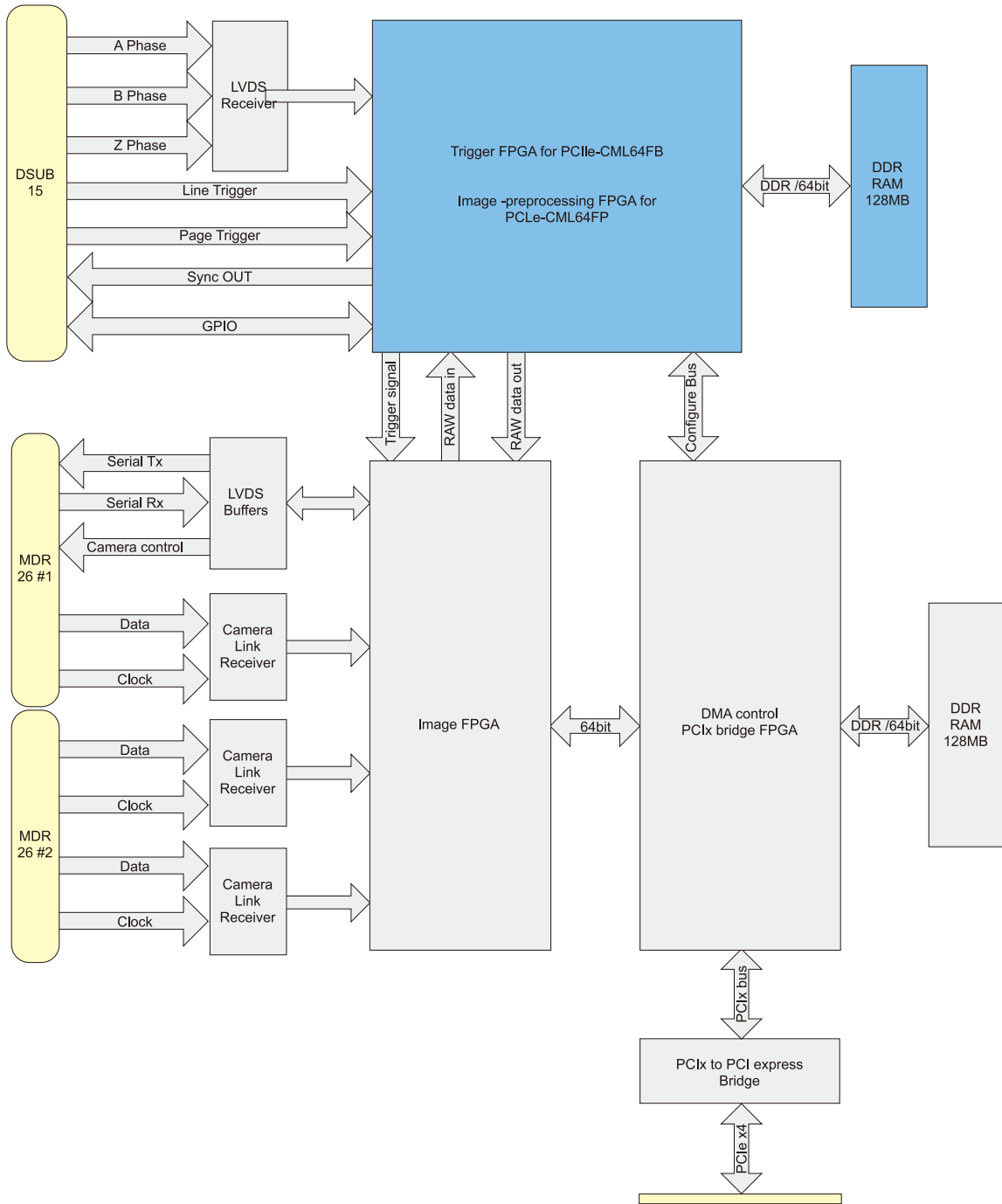
- One Channel Camera Link Full Configuration
- PCI Express® x4 interface
- Customizable FPGA-based Pre-processing core (60K logic elements, 128 MB DDR RAM Buffer for PCIe-CML64FP)
- High-speed image transfer rates up to 680MB/sec per channel
- Acquisition pixel clock rates up to 85 MHz
- 128 MB DDR SDRAM on-board memory

Ordering Information

PCIe-CML64FB	PCI Express x4 Camera Link frame grabber
PCIe-CML64FP	PCI Express x4 Camera Link frame grabber with FPGA image pre-processing

Specifications

Channels	1
Acquisition	Pixel clock rates up to 85 MHz
On Board RAM	128MB DDR RAM
Camera type	Area/Line
Pixel format	Full Camera: 8 x 8-bit/tap Medium camera: 4 x 8-bit/tap, 4 x 10-bits/tap, 4 x 12-bit/tap Base cameras: 3 x 8-bit/tap, 2 x 10-bits/tap, 2 x 12-bit/tap
Data transfer	DMA, single direction from FG to PC
Trigger	Line/Page Trigger (programmable, TTL/RS422) x1, Encoder Trigger (RS422, Up/down counter) x1
Digital I/O	1x TTL DI/DO
Safety compliance	CE/FCC, RoHS
Connector	26-pin MDR26 connector, DB-25 for I/O
Bus	PCI Express® x4 lane
On-board FPGA	Altera Statix II, 60K logic elements (PCIe-CML64FP)
Serial Communication	1xRS-232
Dimension	174.6 x 111.2 mm
Power Consumption	+12V@0.6A, +3.3V@3A
Software	Supports Windows® XP/Vista/32 Supports VC++ 6.0, VB 6.0, BCB 6.0 Camcreator® utility



ADLINK TECHNOLOGY INC.
凌華科技股份有限公司
Tel: 886-2-82265877
Fax: 886-2-82265717
E-mail: service@adlinktech.com

ADLINK TECHNOLOGY AMERICA, INC.
凌華科技股份有限公司
Tel: 1-866-4-ADLINK
Fax: 1-949-727-2099
E-mail: info@adlinktech.com

ADLINK TECHNOLOGY SINGAPORE PTE LTD
凌華科技股份有限公司
Tel: 65-6844-2261
Fax: 65-6844-2263
E-mail: singapore@adlinktech.com

ADLINK TECHNOLOGY BEIJING (北京凌華)
Tel: 86-10-5885-8666
Fax: 86-10-5885-8625
E-mail: market@adlinktech.com

ADLINK TECHNOLOGY SHANGHAI (上海凌華)
Tel: 86-21-6495-5210
Fax: 86-21-5450-0414
E-mail: market@adlinktech.com

ADLINK TECHNOLOGY SHENZHEN (深圳凌華)
Tel: 86-755-2643-4858
Fax: 86-755-2664-6353
E-mail: market@adlinktech.com