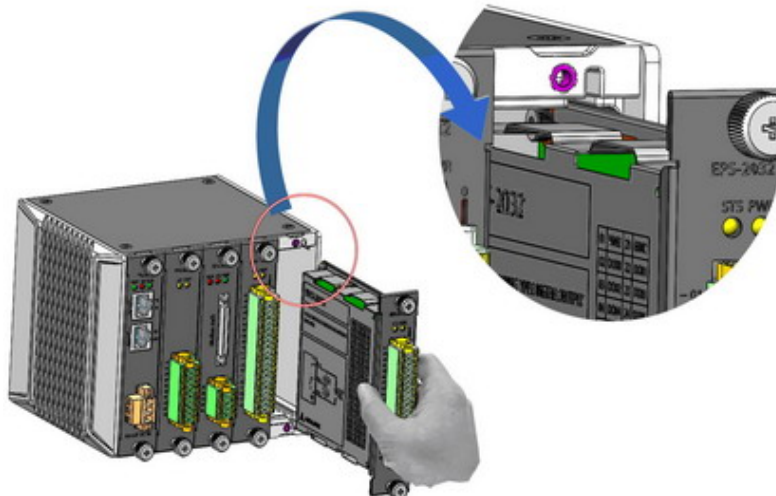
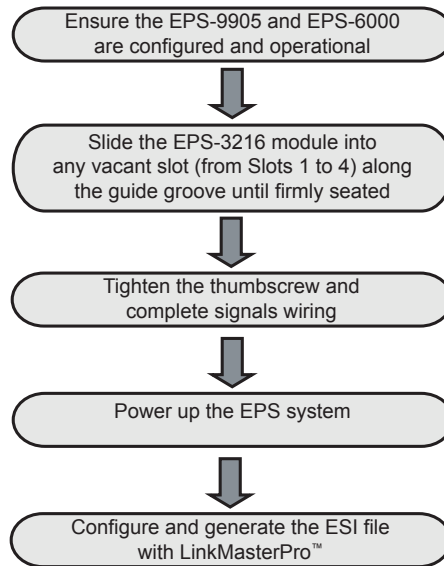


EPS-3216

Remote 32CH Digital Input Module for EtherCAT

Getting Started



Specifications

Channels	16 single-ended
Input Range	0-20mA
Resolution	16 bit
Offset Error	0.5μA
Offset Drift	0.0005% of range per °C
Gain Error	±0.05% of FSR
Gain Drift	0.0008%FSR per °C
Voltage Protection	Power On @ ±24V
Sampling Rate	100KHz
Power Consumption from Chassis	< 450mW (max.)
Thermal Dissipation (at max temp.)	< 2.55W (max.) @ EVCC=24V+10%
Operating Temperature	-20 - 60°C
Isolation (Channel-to-DGND)	2kV (DC)
Isolation (Channel-to-Chassis)	2kV (DC)

Features

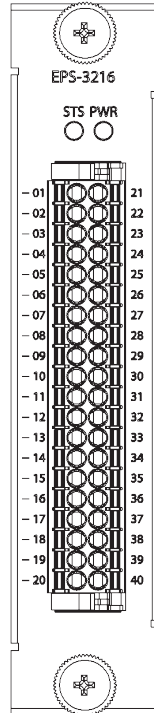
- Supports 32CH 100kS/s ±10V analog input
- Operable in -20°C to 60°C environments
- IEC 61131 compliant
- Hot swappable under sustained power
- Compact 100 (L) x 100 (H) mm size
- Module temperature self-diagnostics

Connector

Connector: Phoenix Contact, DFMC series, 1787195, pitch=3.5mm, 2x20pin, AWG 16-24 gauge

Pin Definitions

Pin	Description	Pin	Description
01	NC	21	NC
02	AI00	22	NC
03	AI01	23	NC
04	AI02	24	NC
05	AI03	25	NC
06	AI04	26	NC
07	AI05	27	NC
08	AI06	28	NC
09	AI07	29	NC
10	AGND	30	AGND
11	AI08	31	NC
12	AI09	32	NC
13	AI10	33	NC
14	AI11	34	NC
15	AI12	35	NC
16	AI13	36	NC
17	AI14	37	NC
18	AI15	38	NC
19	NC	39	AGND
20	RSV	40	AGND

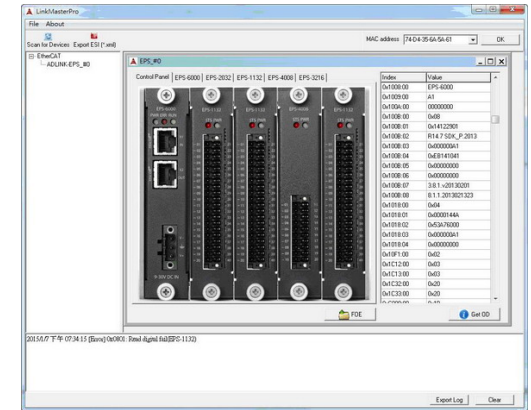


LED Indicators

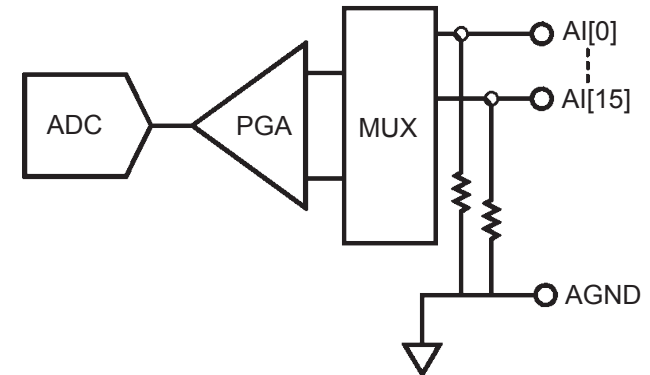
LED	Status	Function
STS	Blinking	Temperature Protection Module Present
PWR	Lit	Module Power Status

Configuration & ESI Generation

LinkMasterPro™ is a Windows-based utility from ADLINK, helping configuration of the entire EPS system and generating corresponding EtherCAT slave information (referred to ESI) in XML format. LinkMasterPro™ automatically detects installed EPS modules and evaluates functionality of the EPS system.



Signal Connection



Contact ADLINK

Web: <http://www.adlinktech.com>
 Service: service@adlinktech.com

Tel: +886-2-8226-5877
 Fax: +886-2-8226-3337

Copyright 2015 ADLINK Technology, Inc.
 Contents and specifications subject to change without notice.



Advance Technologies
Automate the World